

- **Smallest relay module for 230VAC up to 10 Amps. switching current**
- **Smallest power consumption, 0.7 Watts max.**
- **Simply operates with Casambi.**

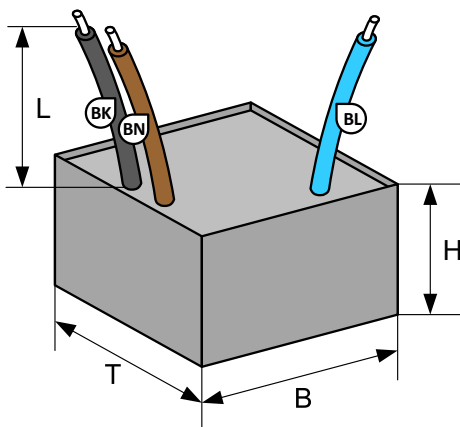
The relay module LIGA.AIR.REL.240 is controlled by the Casambi application.

The module is directly connected to 230VAC and its relay output has the capability to switch currents up to 10 Amps.

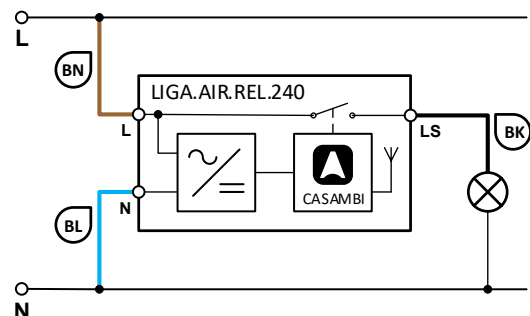
The module is capsuled in a black ABS housing with the dimensions of 35 x 35 x 26mm.

The extremely compact design of the housing allows an easy installation in flush-mounted boxes or in a cable duct.

#### Dimensional drawing:



#### Schematics:



**Installation only by a professional electrician according to the local regulations!**

**Technical specifications:**

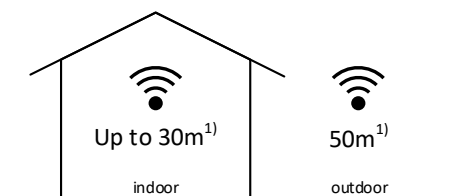
Dimension (T x B x H)	35 x 35 x 22mm
Weight	42g
Color	Enclosure black
Mounting	In flush-mounted boxes or cable ducts etc.
Environmental conditions	Operation: Temperature -20 ... 50°C, humidity < 85%rH Stock: Temperature -25 ... 65°C, humidity < 95%rH
Protection type / Protection class	IP44, EN-60529 / Appliance Class II
Connections	Flexible 3 x 1mm <sup>2</sup> (AWG30), L = 150mm: Brown (BN): L, phase conductor Blue (BL): N, neutral conductor Black (BK): LS, phase conductor switched
Power supply / Frequency	230VAC, 50Hz
Power consumption	0.7W
Relay output	10 Amp. / 230VAC (note inrush current of load)
Standards	Low Voltage Directive (LVD) 2014/35/EU, EN 60669-2-1 Electromagnetic compatibility (EMC) 2014/30/EU
CASAMBI Modul Standards	Bluetooth 4.0 Wireless Control
Switching times	Settable by the Casambi application (App Store, Google Play)
Applications	Switching on of loads e.g. lamps etc.
Scope of delivery	1 Relay Module

**Compatible devices:**



**iPhone 4S** or later  
**iPad 3** or later  
**iPod Touch 5th gen** or later.  
**Android 4.4 KitKat** or later devices  
 produced after 2013 with full BT 4.0 support.

**Range:**



Casambi uses mesh network technology so each CBU-ASD acts also as a repeater.

Longer ranges can be achieved by using multiple Casambi units.

Range is highly dependent on the surrounding and obstacles, such as walls and building materials.

