

Product name	Vadsbox
E-number	E14 383 87
Art. number	V-65L2072-001Y
Mounting	Surface mounted
Material	PC/ABS
Insulation class	IP20
Dimensions LxWxDj	170x125x38,5mm
Cable entry	16mm knock-outs, and multiple cut-out options
Working temperature	-20 + 50°C
Weight	178g
Flame retardance	V0
Approvals	CE



**Vadsbox is a junction box intended for the fitting of products such as dimmers, control modules and relays. Vadsbox is IP20 compliant and intended for placement in suspended ceilings or for surface mounting indoors.**

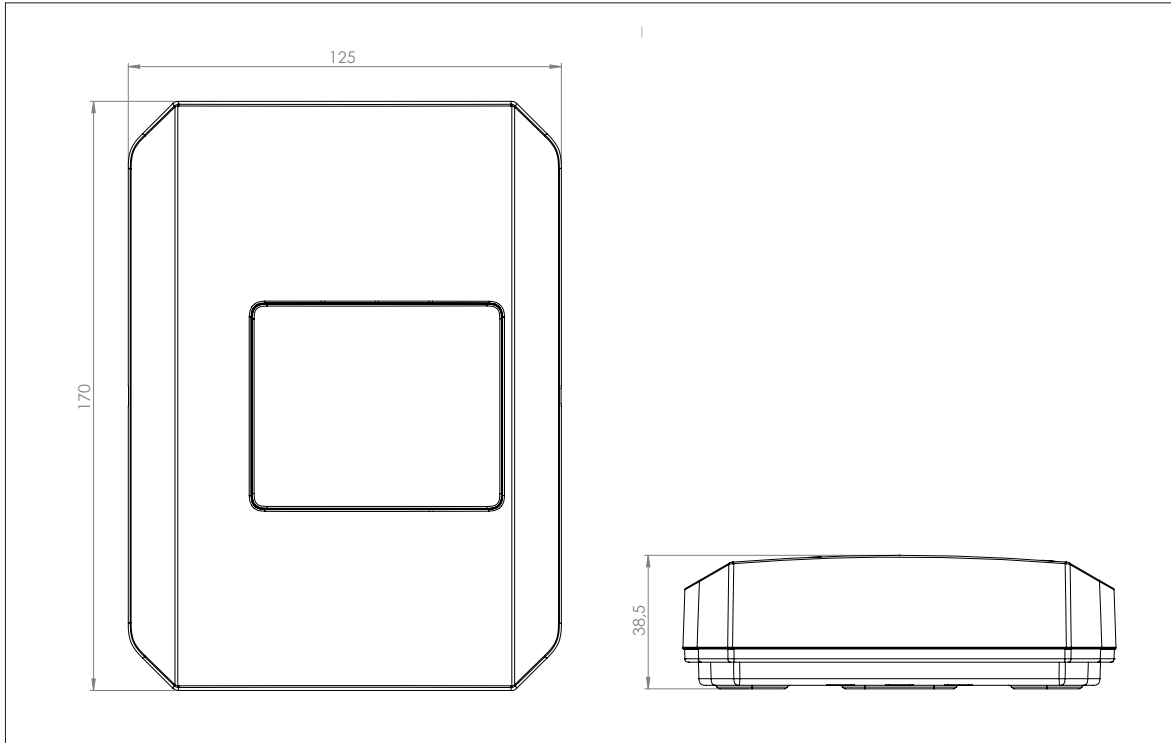
**Vadsbox is equipped with a 5-pole spring connector, which can be removed from the fitting if necessary. Vadsbox's base plate includes brackets which, with the help of the included cable ties, allow for a universal fitting of products, as well as simple internal cable management and strain relief.**



**Warning!**

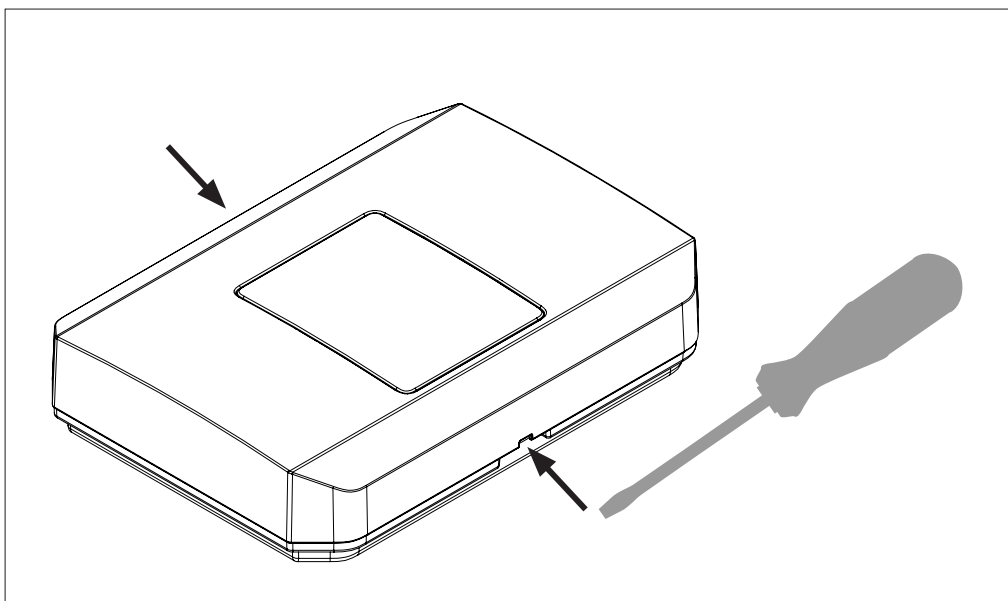
**High voltage. Risk of electric shock. Installation should only be performed by a qualified electrician. Make sure that the power supply is switched off before connecting.**

## Dimensions (mm)



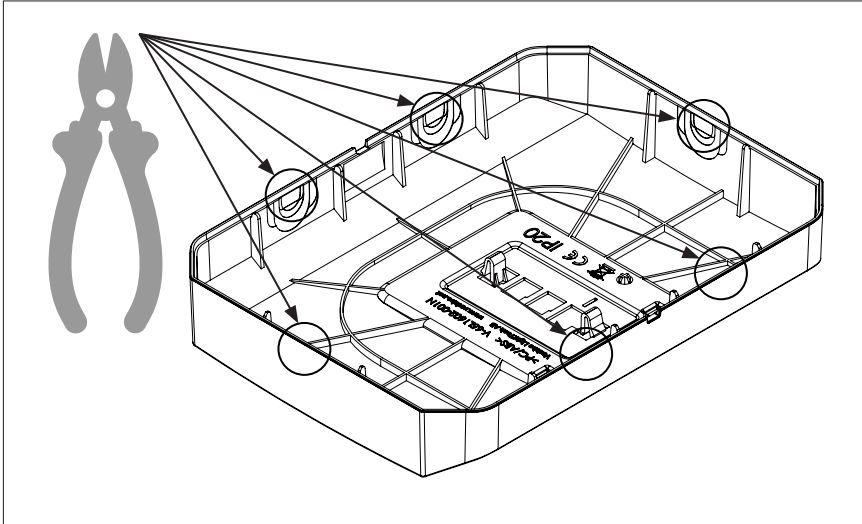
## Open locking clips

To open the Vadsbox press a screwdriver against the locking clips on each long side, as per the picture below.



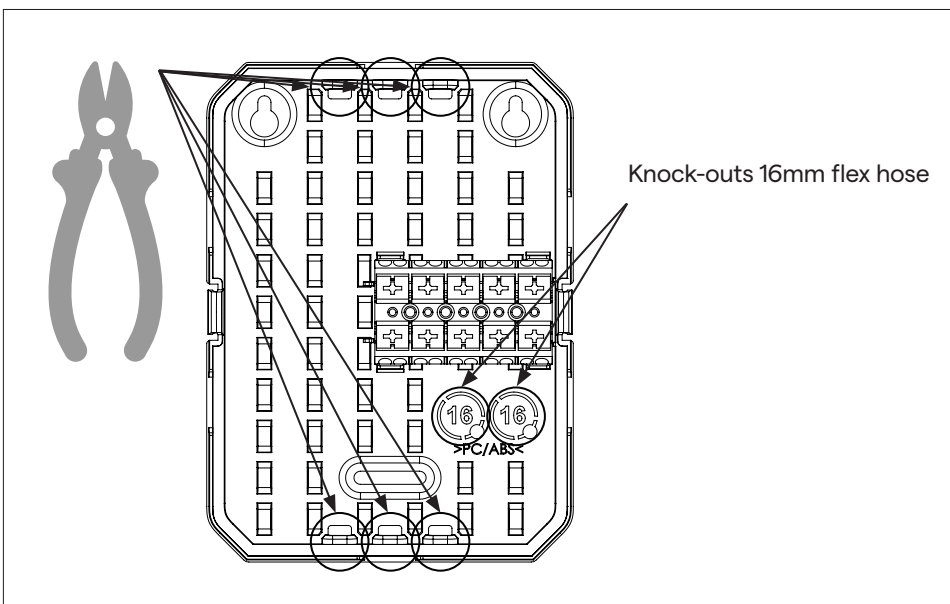
## Cable entry options

Optional knock-outs based on cable size in several places.

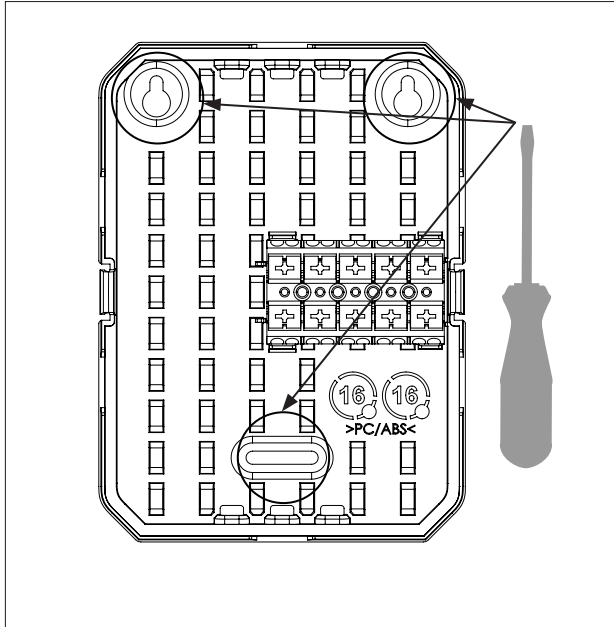


## Cable entry options

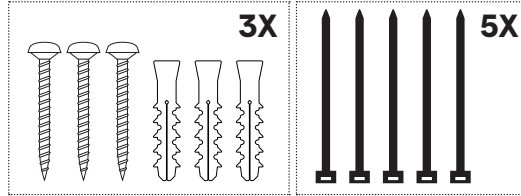
Knock-outs for 2 wiring cables.



## Wall mounting



Included:



## Examples of strain relief

