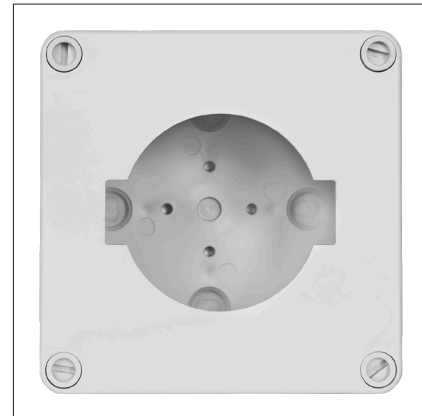


Designation	PIRBOX
E-number	14 383 93
Art. number	V-65L1092-001N
Operational temperature	-30 to 50°C
Material casing	Polystyrene
Material screws	Polymide 6
Cable entry hole	M20/M25



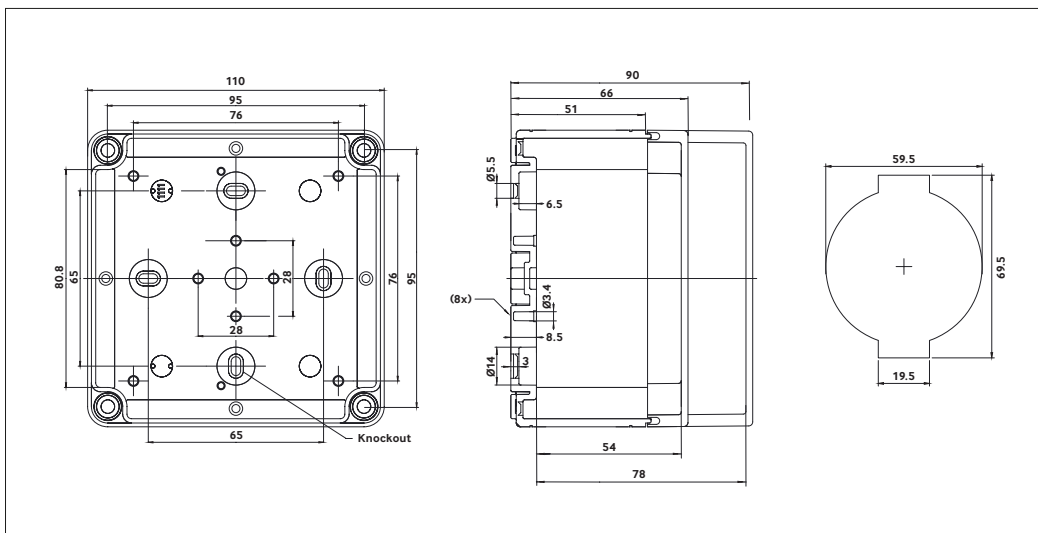
Pre-drilled 64 mm hole detector adapter enclosure.



Warning

This device should be installed by a qualified electrician in accordance with the latest edition of the IEE wiring regulations.

Dimensions (mm)



Installation

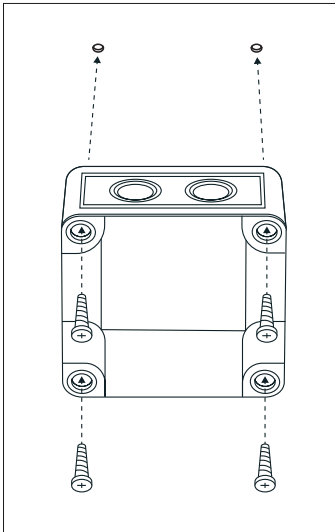
Surface mounting.



If you are using the product in a low temperature environment a Breather Plug & Cable gland MUST be installed, to prevent condensation build up & to maintain IP integrity.

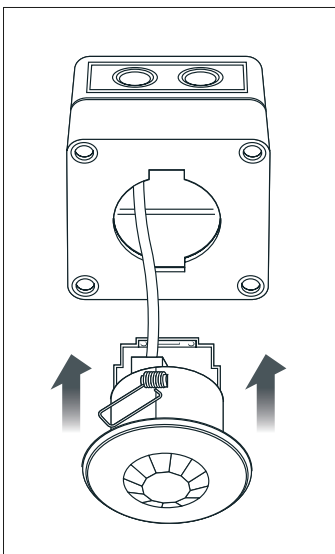
Secure to wall or ceiling

Apply fixing screws to the 4 corner holes and preserve the seals of the internal area of the enclosure. Use screw fixing type suitable to the mounting surface structure. Do not over tighten to prevent damage to the enclosure. Fixing Screws x 4 (max 4.5 mm diameter shaft, 8 mm diameter head)



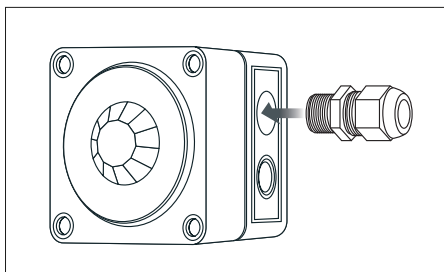
Install detector

Pull out spring tab, rotate spring arm as shown insert into aperture and rotate for location.



Use of side knockouts

Advise to use cable gland to the side knockouts to preserve the IP integrity of the unit. Use approved cable gland.



Advise to use vent plugs to the side knock-out facility so as to reduce condensation that may occur.

